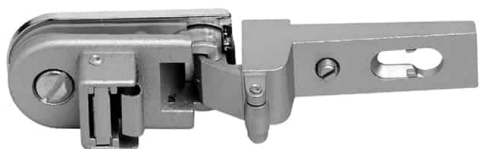
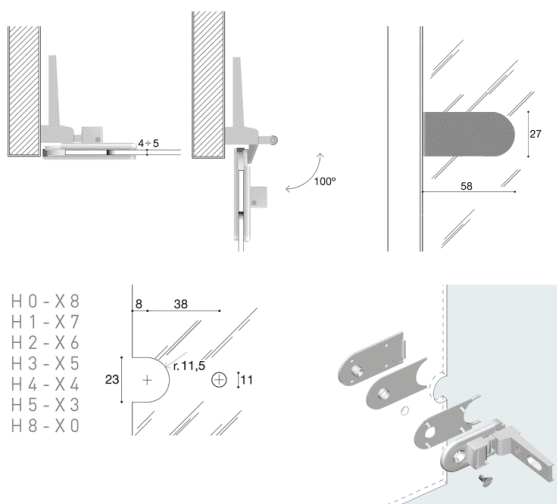


COD: CF01027

Cat: Hinges, Technical hardware



Finish	Satin Finish Nickel
Material	Die-Cast Metal
Typology	Glass hinges
Characteristics	for glass doors 4-5 mm thickness



H 0 - X 8
H 1 - X 7
H 2 - X 6
H 3 - X 5
H 4 - X 4
H 5 - X 3
H 8 - X 0